

Indicator Light

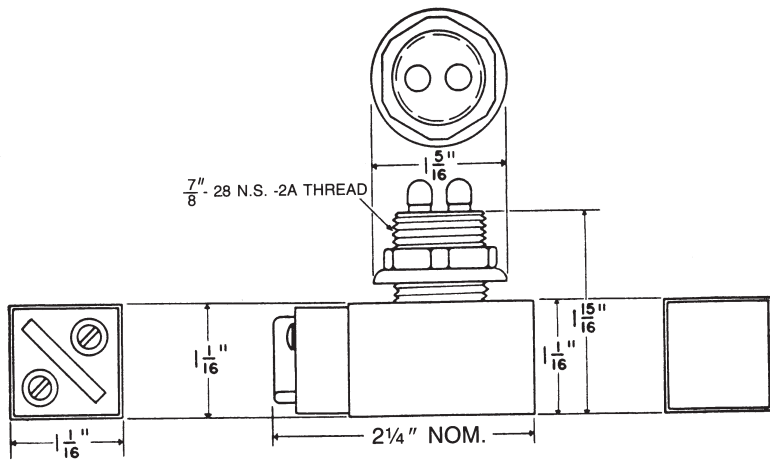
LH 94

The Dualamp Indicator Light has been tested and approved for dielectric withstanding voltage, moisture resistance, voltage regulation, temperature rise, shock, vibration, visual and dimensional. Application with 50, 60, or 400 Hz A.C. systems.

JHSLC P/N	Primary VAC	Secondary VAC	Lamp Accomodation	Lenses Available
LH 94/1	12	1.8		
LH 94/2	26	1.8	W-L-00111/56	LC 32 thru 45
LH 94/3	117	1.8	(#1769:MS15612-3)	
LH 94/4	450	1.8		



Dimensions (Approx.)



WITH OR WITHOUT MOUNTING FEET