

Control Circuit Transformers

Series 106.531

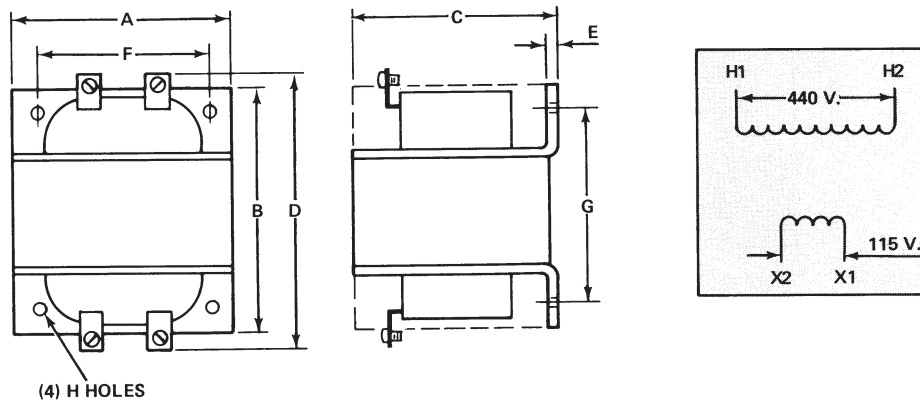
Series 106.531 Transformers reduce supply voltage to 115 volts A.C. in control circuits of motor starters, controllers and other equipment.

Specification	MIL-C-2212, MIL-T-16315 where applicable, MIL-E-917
Type	Series 106.531, Control Circuit
Application	Voltage step down.
Duty	Continuous
Ambient	50° C
Insulation	Class B



Typical Control Circuit Transformer

Dimensions (Approx.)



Catalog Number	V.A. Rating	Volts, 60 Hz		Dimensions - Approx. (in inches)							
		Primary	Secondary	A	B	C	D	E	F	G	H
106.531-1	500	440	115	5 1/4	4 3/8	4 3/8	5 3/8	1/8	3 3/4	3 1/2	5/16
106.531-2	1000	440	115	7 1/8	3 7/8	5 3/4	5 1/8	.134	5	3	5/16
106.531-3	2000	440	115	9	4 3/4	7 1/2	6 3/8	3/16	6	3 3/4	5/16
106.531-5	3000	440	115	9	5 3/8	7 1/2	7 3/8	3/16	6	4 3/8	5/16
106.531-6	1500	440	115	7 1/8	4 13/16	5 3/4	6 1/8	.134	5	3 15/16	5/16
106.531-7	250	440	115	4 1/2	3 7/8	3 3/4	4 3/8	1/8	1/4	3	5/16