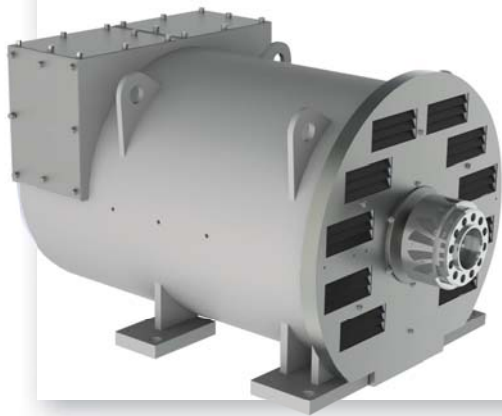




Ward Leonard

Excellence in Motor and Control Solutions™

1,150 HP AC Drilling Motor – WL752115



For Top Drive Applications

Benchmark Performance for Oil & Gas Applications

In the oil and gas industries, motors must have optimal performance, reliability and long-life to withstand the most demanding environments. The 1150 HP Drilling Motor was designed to endure rigorous high shock and vibration conditions for decades of continuous service in the harshest rig duty environments. The motor features a certified Class H - fully taped and sealed - insulation system that provides a solid barrier to dust, sand, oil and water and helps to extend the life of the motor.

Standard Features

- ◆ 6 pole stator
- ◆ Extra tough pitch copper rotor bars
- ◆ Certified Class H insulation
 - Fully taped with silicon tape
 - Glass sleeving on bolted wire connections
 - Fully vacuum impregnated
 - Tested for 4 hours under water at 500 V
- ◆ 4140 and 4340 alloy shafts available
- ◆ Six 100Ω platinum RTDs; 2/phase embedded in stator

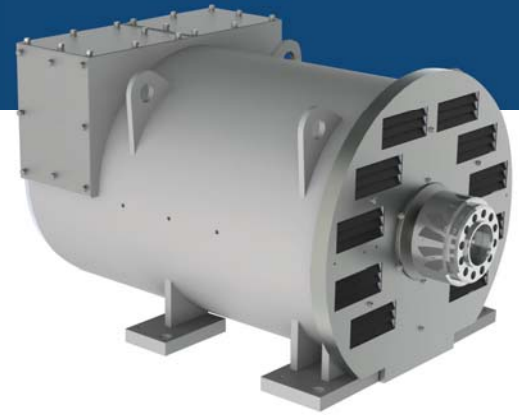
- ◆ Shaft seals and oil slingers on the drive and non-drive sides
- ◆ Designed for Variable Frequency Drive operation
- ◆ Heater
- ◆ ISO 9001:2008-certified
- ◆ ATEX and CSA-approved
- ◆ IP 44 motor enclosure

Optional Features

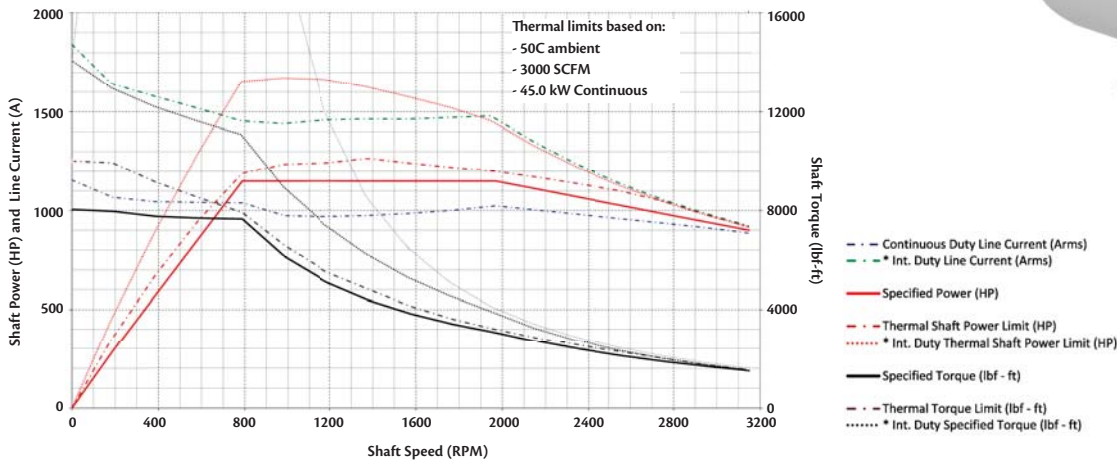
- ◆ Encoder
- ◆ Bearing RTD
- ◆ Blower assembly
- ◆ Air pressure switch
- ◆ IP 56 junction box
- ◆ Oil field hub
- ◆ ABS certification
- ◆ CSA certification



1,150 HP AC Drilling Motor



Speed - Torque Performance That Leads the Industry

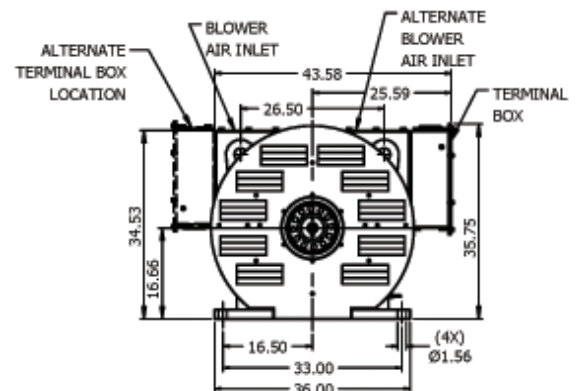


Critical Data

Model number	WL752115
Voltage (AC)	575 ±10%
Current (Amps)	995
Rated Speed	793 RPM
Torque (lb ft)	7550 at rated speed
HP	1150 at rated speed
Max. permissible speed	3000 RPM
Base motor weight	6,800 lbs.
Rotor weight	2,300 lbs
Recommended blower CFM	4600
Nominal resistance / phase @ 25 °C	0.0037 Ω
Rotor balance	61.8 gram inches
Standard bearing grease	Mobil Unirex EP 2 *
Megger resistance	20 MΩ

* Others available upon request.

Dimensions



Ward Leonard is a global provider of highly engineered motors, controls and integrated solutions that power Oil & Gas exploration. We provide benchmark performance, productivity, durability and customer support primarily for Top Drives, Mud Pumps, Draw Works, Rotary Tables, Engine Controls and Control Houses. Learn more at www.wardleonard.com.

401 Watertown Road, Thomaston, CT 06787
 P: 860.283.5801 | F: 860.283.5777 | sales@wardleonard.com | WardLeonard.com