



Ward Leonard

WLG 3-Series

Diesel Engines

3 Cylinder 50/60 Hz



The **WLG 3-Series** is an efficient, economic and reliable diesel engine suitable for generator sets (gensets). This series combines outstanding value and flexibility with excellent performance.

APPLICATIONS:

- ◆ Light towers
- ◆ Light commercial applications
- ◆ Portable gensets

FEATURES:

- ◆ 12 VDC electric system
- ◆ Heavy duty air filter
- ◆ Tropical radiator rated at 55°C as standard
- ◆ Direct injection in-line pump
- ◆ Efficient fuel consumption
- ◆ Low sound
- ◆ Coolpac Integrated Design. Engines are supplied with cooling package and air cleaner kit for a complete power solution. Each component has been specifically developed and rigorously tested for G-Drive products, ensuring high performance, durability and reliability.

1500 rpm (50Hz) Rating

Engine Model	Series	Gross Engine Output				Typical Genset Output			
		Standby (ESP)		Prime (PRP)		Standby (ESP)		Prime (PRP)	
		kW	Bhp	kW	Bhp	kW	kVA	kW	kVA
WLG3010M3C	WLG 3	11	15	10	13	9	11	8	10

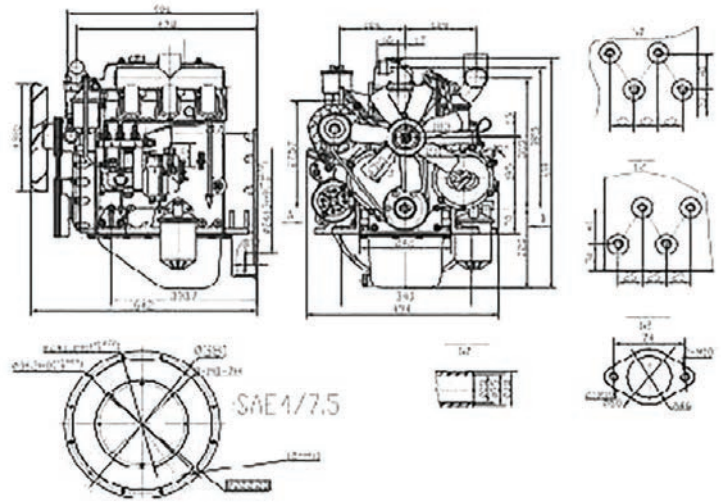
1800 rpm (60Hz) Rating

Engine Model	Series	Gross Engine Output				Typical Genset Output			
		Standby (ESP)		Prime (PRP)		Standby (ESP)		Prime (PRP)	
		kW	Bhp	kW	Bhp	kW	kVA	kW	kVA
WLG3012M3C	WLG 3	13	18	12	16	11	13	10	12

WLG	3	010	M	3	C
Code	Series/Cylinder	Gross Engine Power (kWe)	Governor	Rad. Temp	RPM
Ward Leonard Engines	2: 2 Cyl 3: 3 Cyl 4: 4 Cyl 6: 6 Cyl	010 - 504	E: Electronic M: Mechanical	1: 40°C 2: 50°C 3: 55°C	A: 1800 RPM B: 1500 RPM C: Convertible <i>factory set at 1500 RPM</i>



Engine Parameters	Specifications
Engine Type / Cylinder Arrangement	Vertical in-line
Number of Cylinders	3
Cycle	4 Stroke
Displacement (liters)	1.5
Combustion System	Direct Injection
Starting System	Electric
Compression Ratio	22:1
Cooling System	Water Cooled
Radiator Dimensions (mm)	585 x 240 x 615
Radiator Temperature	55°C
Coolant Capacity (liters)	8
Governor	Mechanical (Std)
Noise Level	≤ 103 db
Starter / Alternator Voltage	12 VDC
Firing Order	1-3-2
Oil Capacity (liters)	6
Bore (mm)	85
Bell Housing / Flying Wheel Size	SAE 4 / 7.5
Stroke (mm)	90
Weight (excluding oil/coolant)	200kg
Dimensions L x W x H (cm)	81 x 62 x 77



*Not to scale

WLG 3-Series Diesel Engines 3 Cylinder 50/60 Hz



Rating Definitions

Emergency Standby Power (ESP)

Applicable for supplying power to varying electrical load for the duration of power interruption of a reliable utility source. Emergency Standby Power (ESP) is in accordance with ISO 8528. Fuel Stop power in accordance with ISO 3046, AS 2789, DIN 6271 and BS 5514.

Prime Power (PRP)

Applicable for supplying power to fluctuating electrical load, for unlimited time. Prime Power (PRP) is in accordance with ISO 8528. Ten percent overload capability is available in accordance with ISO 3046, AS 2789, DIN 6271 and BS 5514.

Base Load (Continuous) Power (COP)

Applicable for supplying power continuously to a constant electrical load for unlimited time. Continuous Power (COP) is in accordance with ISO 8528, ISO 3046, AS 2789, DIN6271 and BS 5514.

At Prime Power

Fuel Consumption	Liter/Hour	
	1500 rpm	1800 rpm
25% Load	1.6	1.9
50% Load	2.5	3.0
75% Load	3.1	3.7
100% Load	3.6	4.4



Ward Leonard

401 Watertown Road, Thomaston, CT 06787
Tel 860 283 5801 | www.wardleonard.com

Ward Leonard International - Middle East/Africa

Runway Center 3rd Floor, Suite #2L, Choueifat, Lebanon
Tel / Fax + 961 5 441736

Email sales@wardleonardme.com | techsupport@wardleonardme.com