

Manual Starters

Type IC5900

Specification	MIL-C-2212
Rating	Size 0
Rated Ambient	50° C
Duty	Designed for continuous duty and general-purpose service unless otherwise specified.
Enclosure	Dripproof
Forms	Flush mounting for panel installation. Dripproof enclosure for surface mounting. Dripproof lockable with provisions for locking in open position by maximum of two padlocks (not supplied).
Overload Protection	Thermostatic bimetal
Low-voltage release effect	Contacts remain closed on low voltage, allowing motor to restart upon return of power.
Poles	Three-pole (for single-phase A.C. or D.C., use the two outside poles).
Cable Entrance	Provisions for cable entrance at both top and bottom.



Surface-mounted starter

Ordering Information

Specify form number of starter (e.g., IC5900B2) and catalog number of heaters required (e.g., 81D900) from heater table.

Description	IC5900 Form	Weight in Ounces
Surface-mounted	B2	42
Flush-mounted	M1	26
Lockable, surface-mounted	B5	44
Switch mechanism (replacement only)	A1	16

Max Motor Hp Rating

AC, 3 Ph, 60 Hz		AC, 1 Ph, 60 Hz		DC	
Volts	Hp	Volts	Hp	Volts	Hp
115	1.5	115	1		
220	2	230	1.5	115	1
440	3	440	2	230	1

Continuous current - 15 amps

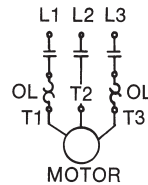
Tungsten lamp load - 8 amps

Manual Heaters

Type IC5900

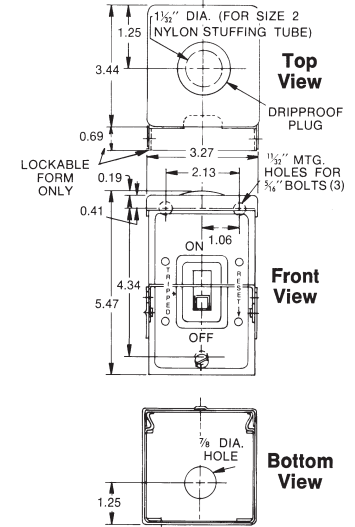
Catalog Number	Rating Amps	Continuous Motor Load Range -- Amp	
		Minimum	Maximum
81D900	0.37	0.29	0.32
81D901	.42	.33	.36
81D902	.46	.37	.40
81D903	.52	.41	.45
81D904	.58	.46	.50
81D905	.63	.51	.55
81D906	.70	.56	.61
81D907	.78	.62	.68
81D908	.87	.69	.75
81D909	.96	.76	.83
81D910	1.05	.84	.91
81D911	1.15	.92	1.00
81D912	1.26	1.01	1.10
81D913	1.39	1.11	1.21
81D914	1.53	1.22	1.33
81D915	1.68	1.34	1.46
81D916	1.84	1.47	1.60
81D917	2.01	1.61	1.75
81D918	2.20	1.76	1.75
81D919	2.41	1.92	2.09
81D920	2.63	2.10	2.28
81D921	2.87	2.29	2.49
81D922	3.13	2.50	2.72
81D923	3.42	2.73	2.97
81D924	3.73	2.98	3.24
81D925	4.07	3.25	3.53
81D926	4.43	3.54	3.85
81D927	4.82	3.86	4.19
81D928	5.24	4.20	4.56
81D929	5.71	4.57	4.97
81D930	6.22	4.98	5.41
81D931	6.77	5.42	5.89

Catalog Number	Rating Amps	Continuous Motor Load Range -- Amp	
		Minimum	Maximum
81D932	7.38	5.90	6.42
81D933	8.03	6.43	6.99
81D934	8.75	7.00	7.61
81D935	9.53	7.62	8.29
81D936	10.4	8.30	9.03
81D937	11.3	9.04	9.83
81D938	12.2	9.84	10.6
81D939	13.4	10.7	11.6
81D940	14.5	11.7	12.6
81D941	15.8	12.7	13.7
81D942	17.3	13.8	15.0

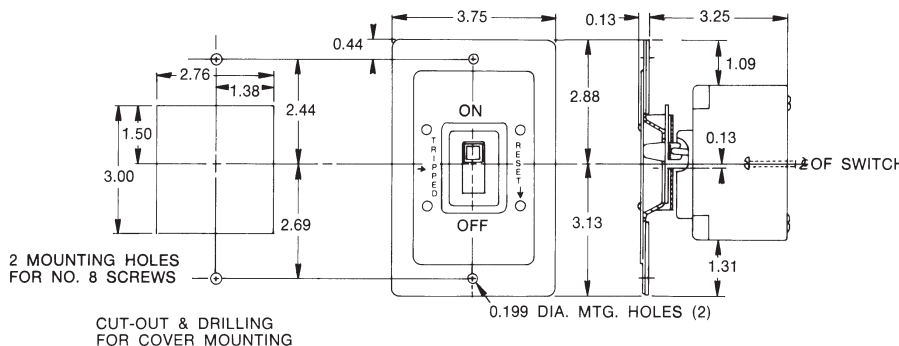


NOTE: For single-phase and DC installation use L1 & L3

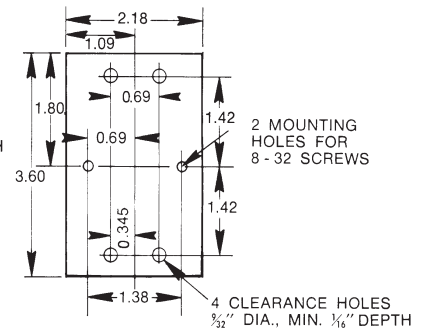
Wiring Symbol



Surface-mounted Form



CUT-OUT & DRILLING FOR COVER MOUNTING



DRILLING FOR SWITCH MECHANISM

Flush-mounted Form