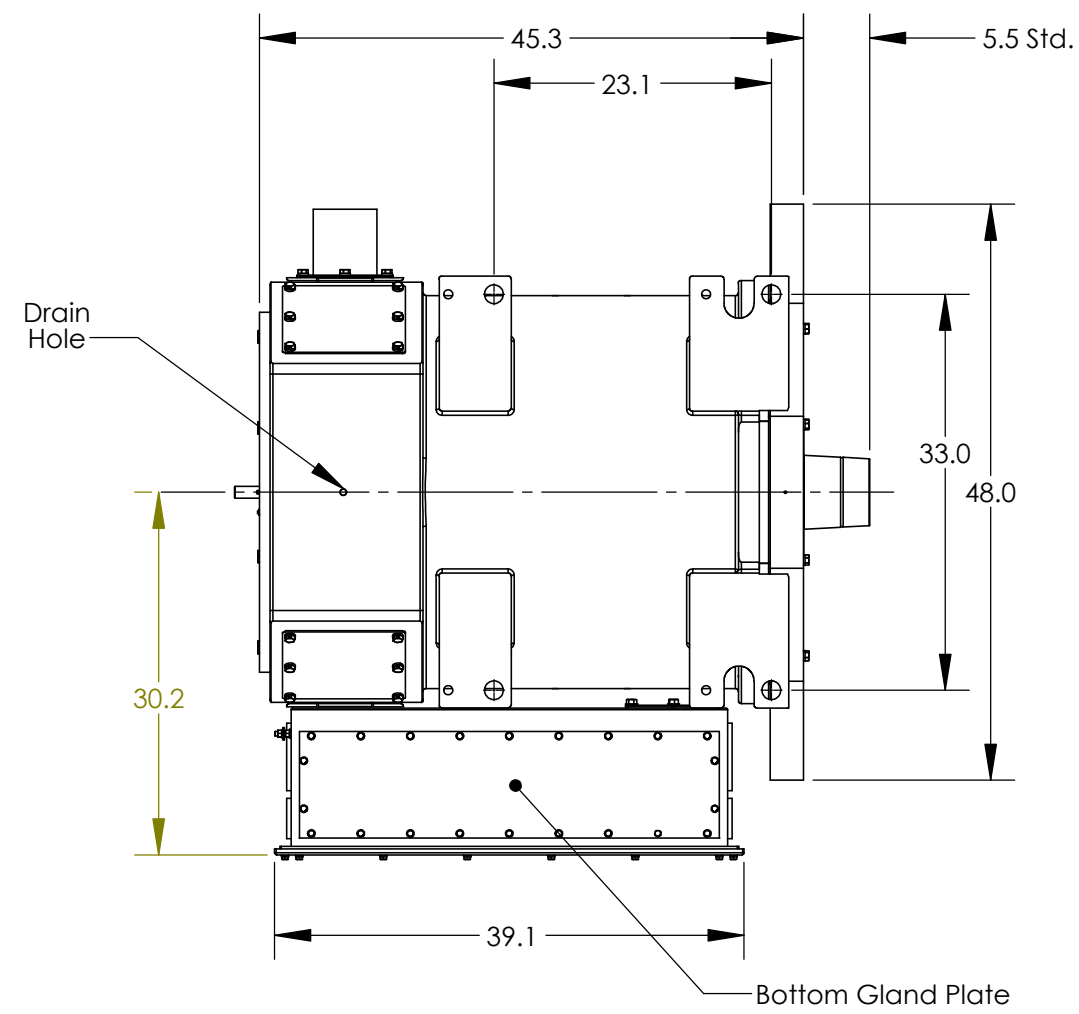
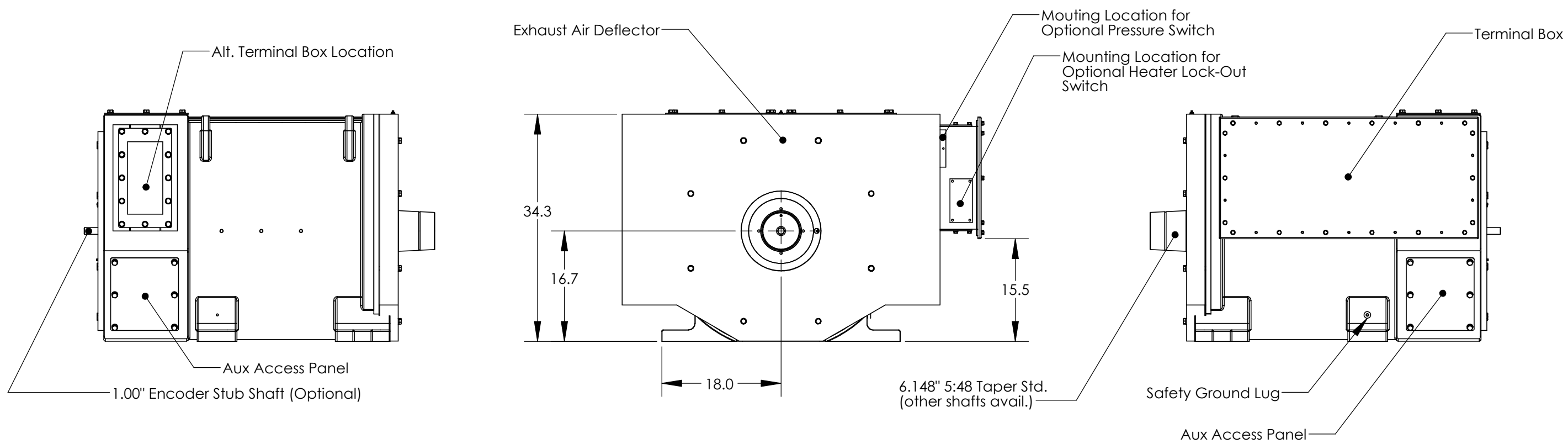


B

B



A

A



NAME PLATE DATA:

OUTPUT POWER - 2000HP (1490 kW)
 INPUT VOLTAGE - 600V
 INPUT FREQUENCY - 50Hz
 FULL LOAD CURRENT - 1775 A
 NO LOAD CURRENT - 620 A
 PHASE - 3
 POLES - 6
 RATED SPEED - 982 RPM
 MAX. MECHANICAL SPPED - 3000 RPM
 IP RATING (FRAME/JBOX) - IP44/IP56
 IC - 06
 DE BEARING - NU332ECMA (ROLLER) or 6332M (BALL)
 NDE BEARING - 6326M
 OUTPUT TORQUE - 10,710 lbf-ft (14,520 N-m)
 WEIGHT (as shown) - 7500 lb (3400 kg)
 REQUIRED COOLING AIR - 3250 CFM AT ~16.0 SPWG

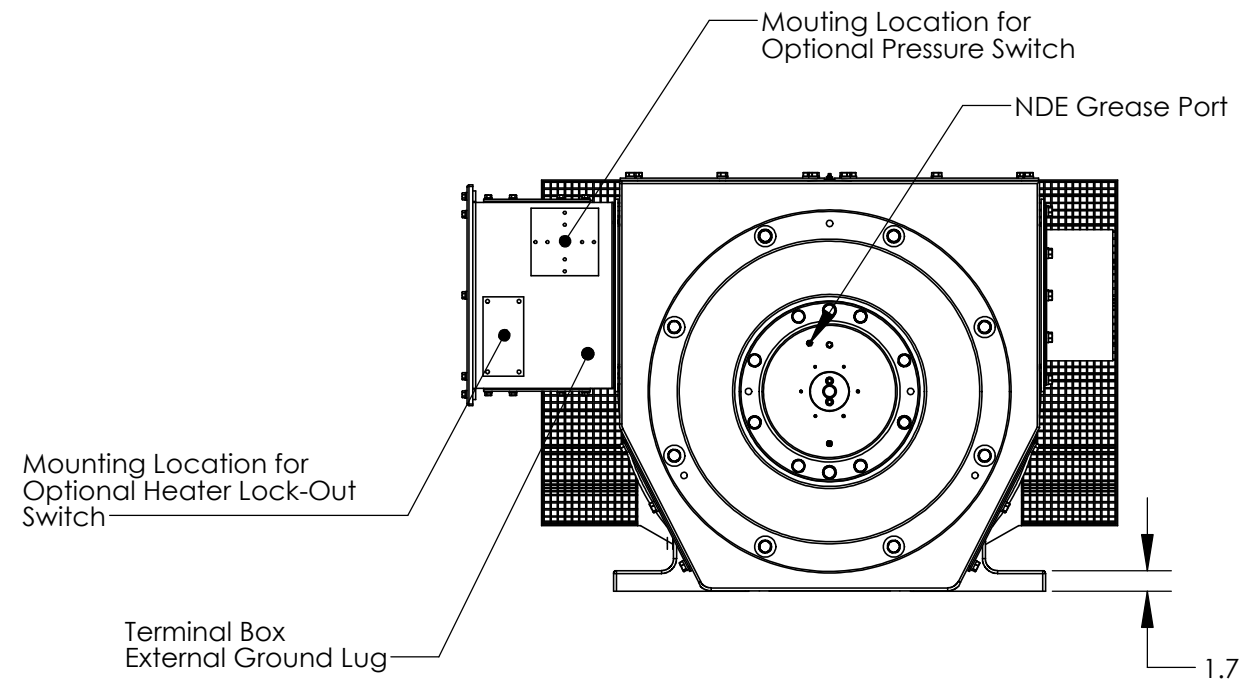
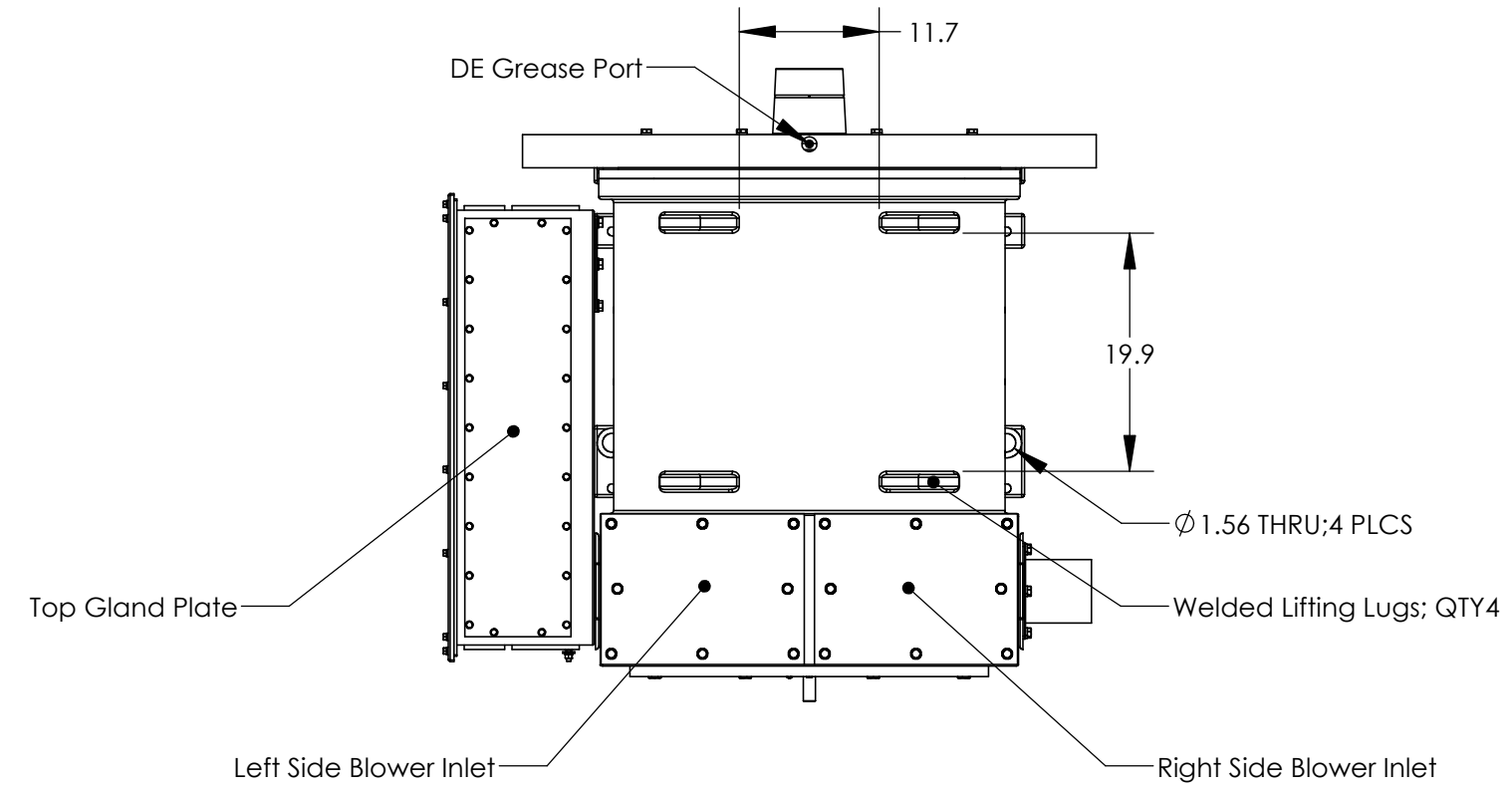
ANSI-INCH TOLERANCES UNLESS OTHERWISE SPECIFIED: Linear Dimensions: X ± 1/16" X/Y ± 1/16" X.X ± 0.04 X.XX ± 0.02 X.XXX ± 0.005 Angular Dimensions: X ± 1° X.X ± 0.5°	©2014  Ward Leonard <small>Excelsior in Motor and Control Solutions</small> Ward Leonard - CT, LLC Thomaston, CT 06787 DRAWN DATE: 8/20/2014	THIS DOCUMENT CONTAINS TECHNICAL DATA WHICH IS THE PROPERTY OF WARD LEONARD - CT, LLC. THIS DOCUMENT AND/OR THE INFORMATION CONTAINED THEREIN SHALL NOT BE DUPLICATED, USED OR DISCLOSED IN WHOLE OR IN PART FOR THE MANUFACTURE OR PROCUREMENT OF ANY ITEM OR ITEMS SHOWN ON OR THEREBY, NOR BE PUBLISHED FOR DISTRIBUTION OUTSIDE UNITED STATES MILITARY ESTABLISHMENT WITHOUT THE WRITTEN CONSENT OF WARD LEONARD - CT, LLC. THIS LEGEND SHALL BE INCLUDED ON ANY DUPLICATION THEREOF IN WHOLE OR IN PART.	
	REFERENCE ONLY 	TITLE 2000HP AC Induction Motor	SIZE B
THIRD ANGLE PROJECTION	SCALE: 1:16	REV -	SHEET 1 OF 2


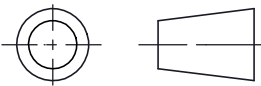
B

B

A

A



ANSI-INCH TOLERANCES UNLESS OTHERWISE SPECIFIED: Linear Dimensions: X $\pm 1/16"$ X/Y $\pm 1/16"$ X.X ± 0.04 X.XX ± 0.02 X.XXX ± 0.005 Angular Dimensions: X $\pm 1^\circ$ X.X $\pm 0.5^\circ$	©2014  Ward Leonard <i>Excellence in Motor and Control Solutions</i> Ward Leonard - CT, LLC Thomaston, CT 06787 DRAWN DATE: 8/20/2014	THIS DOCUMENT CONTAINS TECHNICAL DATA WHICH IS THE PROPERTY OF WARD LEONARD - CT, LLC. THIS DOCUMENT AND/OR THE INFORMATION CONTAINED THEREIN SHALL NOT BE DUPLICATED, USED OR DISCLOSED IN WHOLE OR IN PART FOR THE MANUFACTURE OR PROCUREMENT OF ANY ITEM OR ITEMS SHOWN ON OR THEREBY, NOR BE PUBLISHED FOR DISTRIBUTION OUTSIDE UNITED STATES MILITARY ESTABLISHMENT WITHOUT THE WRITTEN CONSENT OF WARD LEONARD - CT, LLC. THIS LEGEND SHALL BE INCLUDED ON ANY DUPLICATION THEREOF IN WHOLE OR IN PART.		
	REFERENCE ONLY	TITLE 2000HP AC Induction Motor		
THIRD ANGLE PROJECTION 	SIZE B	DWG NO WL29BC200-H	REV -	SCALE: 1:16
		SHEET 2 OF 2		