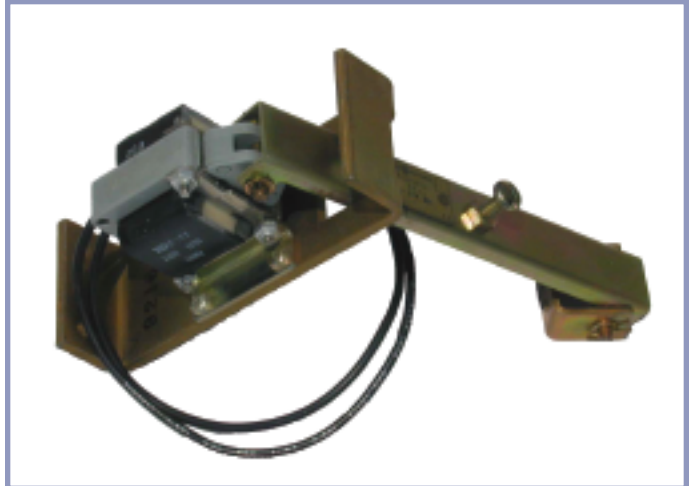


Reset Relays

Type IC5882A300 and IC5882A400

Specification	MIL-C-2212
Application	Use for remote resetting of Types IC5882D and IC5882-34 overload relays.
Duty	Short time, 30 minutes, 200° C maximum temperature.
Voltage	600 volts maximum.



For Use With Overload Relay	Reset Relay Catalog Number	
	115 VAC	440 VAC
IC5882D121A*	IC5882A400H12	UC5882A400H14
IC5882D122A*	IC5882A400H12	UC5882A400H14
IC5882D123A*	IC5882A400H12	UC5882A400H14
IIC5882-34KK**	IC5882A300B12	UC5882A300B14
IIC5882-34KK**	IC5882A300B12	UC5882A300B14
IIC5882-34KK**	IC5882A300B12	UC5882A300B14

* Resets only the short reset rod version of Type IC5882D overload relay.

** Resets two Type IC5882-34 overload relays.

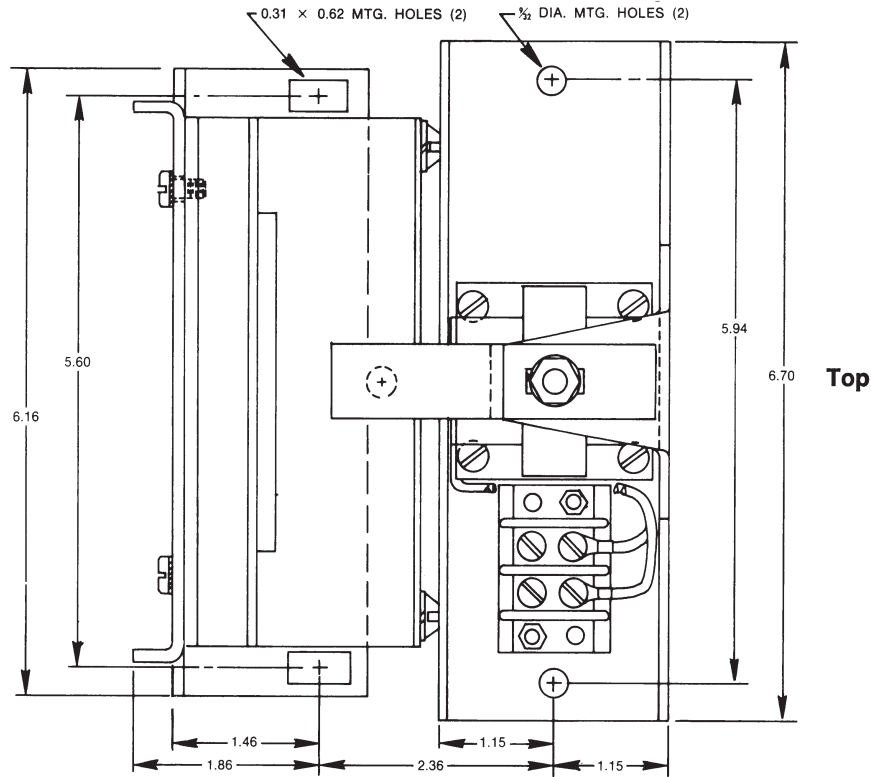
Ordering Information

Order by catalog number. Overload relay is ordered separately.

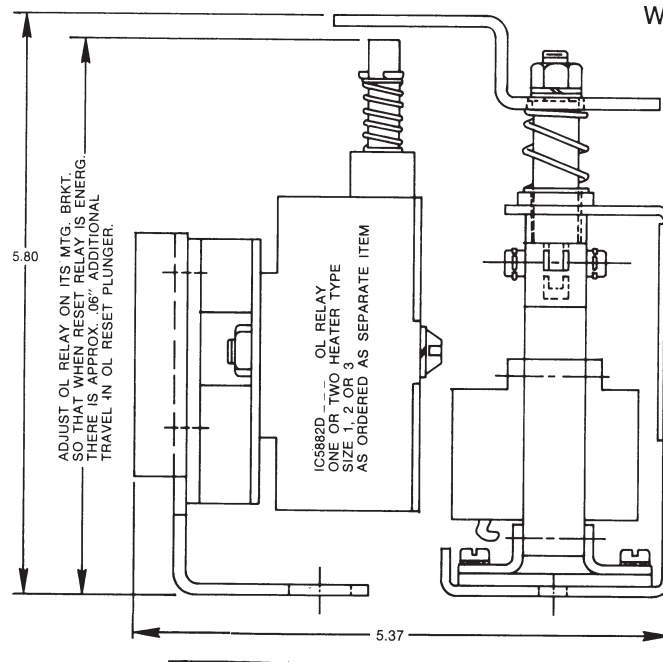
Reset Relays

Type IC5882A300 and IC5882A400

Outline and Mounting Dimensions (In Inches)



WEIGHT = 2 LBS.

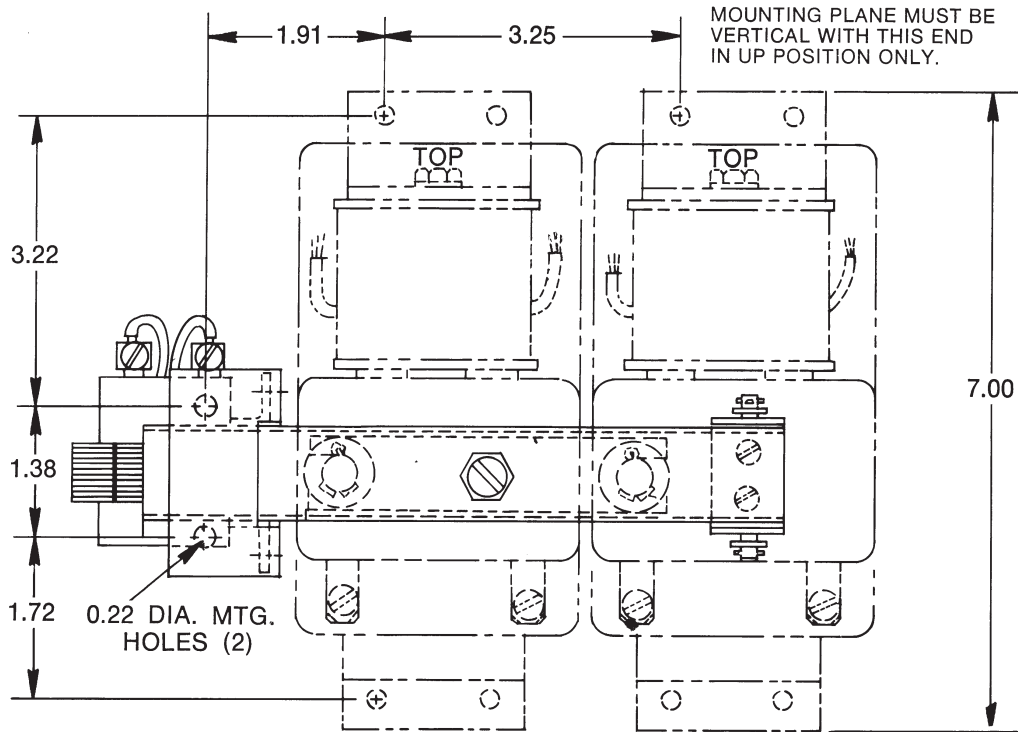


TYPE IC5882A400H RESET RELAY

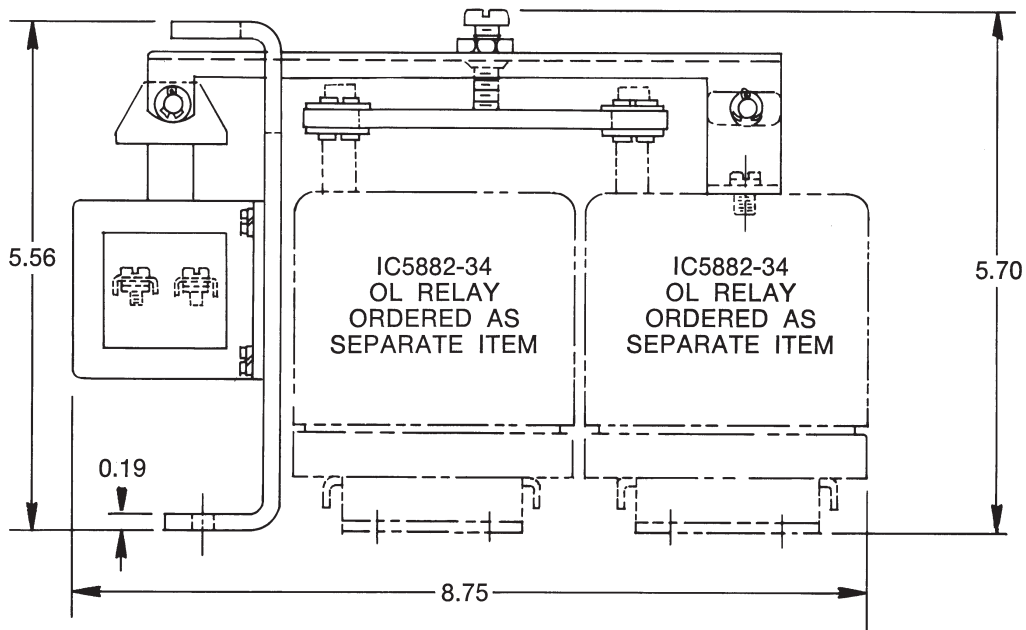
Reset Relays

Type IC5882A300 and IC5882A400

Outline and Mounting Dimensions (In Inches)



WEIGHT = 2 LBS.



TYPE IC5882A300 RESET RELAY